

Dehumidifier **CONSORB CS-5**



Dehumidifying capacity at 20°C / 60%RH
0,35 - 0,4 kg/h

Dry air flow
65-90 m³/h

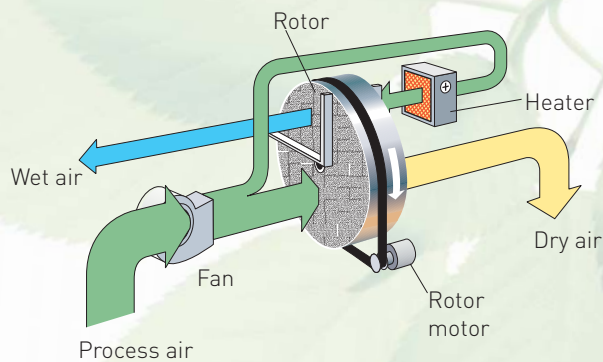
- Washable rotor
- No desiccant carry-over
- Stainless steel chassis
- Self-regulating heater
- Easy to maintain
- Long lifetime



Section of a dehumidifier rotor from Seibu Giken. The high number of channels means that moisture is adsorbed with extra efficiency!

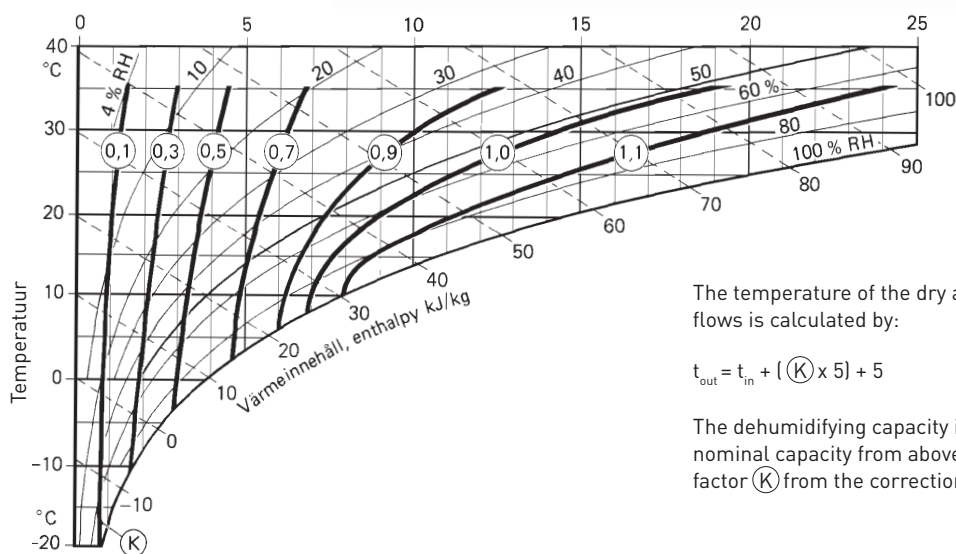
TECHNICAL DATA

Dehumidifier model	CS-5	CS-5L
Nominal capacity ¹ (kg/h)	0,35	0,4
Dry air flow ² (m ³ /h)	65	90
at external static pressure (Pa)	50	100
Vätluftflöde ² (m ³ /h)	30	50
at external static pressure (Pa)	30 ³	30 ³
Maximum electric consumption (kW)	700	850
Supply fuse 230V / 50Hz, (A)	10	10
Weight (kg)	9	9



- ¹ Valid for inlet conditions 20°C/60%RH. For other inlet conditions the capacity can be calculated by using the correction factor from the diagram shown below.
- ² Volume flow for density 1.20 kg/m³.
- ³ 5 m hose Ø 50 mm

CORRECTION DIAGRAM

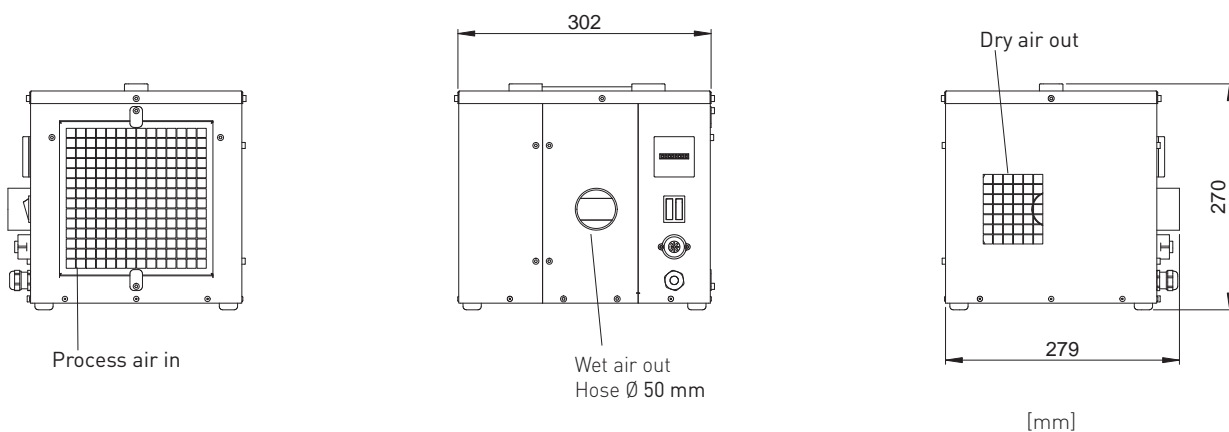


The temperature of the dry air at nominal air flows is calculated by:

$$t_{out} = t_{in} + (K \times 5) + 5$$

The dehumidifying capacity is estimated as the nominal capacity from above, multiplied by factor (K) from the correction diagram.

DIMENSIONS



Subject to change without notice. Download installation drawing at www.dst-sg.com

Seibu Giken DST AB

Avestagatan 33 | SE-163 53 Spånga, Sverige

Tel +46 8 445 77 20 | Fax +46 8 445 77 39

www.dst-sg.com | info@dst-sg.com