

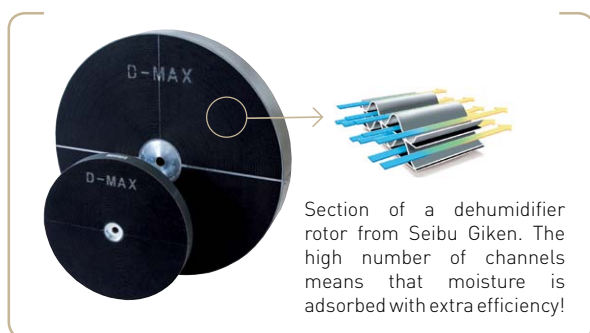
Dehumidifier Recusorb **RL-60R, -60LR**



Dehumidifying capacity at 20°C / 60%RH
4 - 5 kg/h

Dry air flow
850 - 1000 m³/h

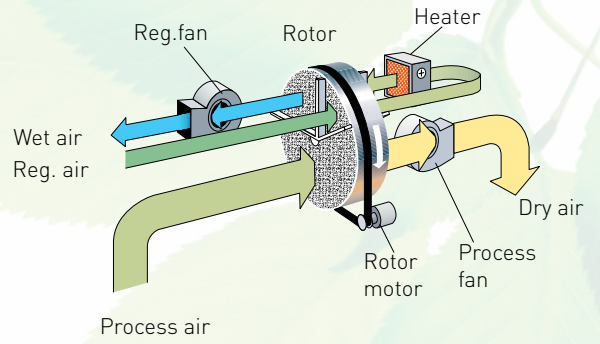
- Excellent performance in all climates
- Built-in heat recovery
- Stainless steel chassis
- Washable rotor
- Possible built-in options:
 - Frequency inverter
 - Linear control of the heater
 - Panel mounted EH3 T2 or EH4
 - Filterbox with F7 filter and filterguard
 - Insulated inlets in combination with filter box



Section of a dehumidifier rotor from Seibu Giken. The high number of channels means that moisture is adsorbed with extra efficiency!

TECHNICAL DATA

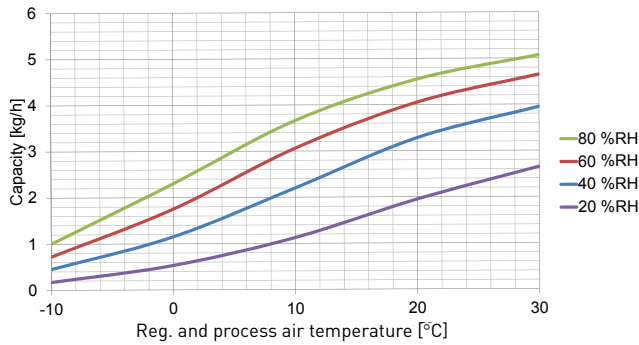
Dehumidifier model	RL - 60R	RL-60LR
Nominal capacity ¹ (kg/h)	4.0	5.0
Dry air flow ² (m ³ /h)	850	1000
Static pressure at disposal (Pa)	300	300
Wet air flow ² (m ³ /h)	180	250
Static pressure at disposal (Pa)	250	150
Heater power (kW)	5.4	7.5
Total power (kW)	6.0	8.3
Supply fuse 3 x 400V 50Hz (A)	16	25
Weight (kg)	68	68



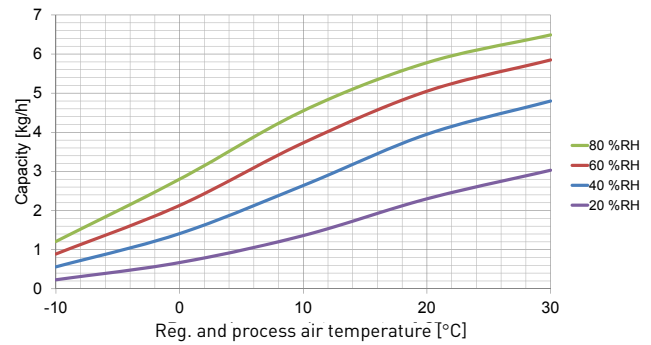
¹ Valid for inlet conditions 20°C/ 60%RH. For other inlet conditions the capacity can be calculated by using the correction diagrams shown below.
² Volume flow for density 1.20 kg/m³.

CORRECTION DIAGRAM

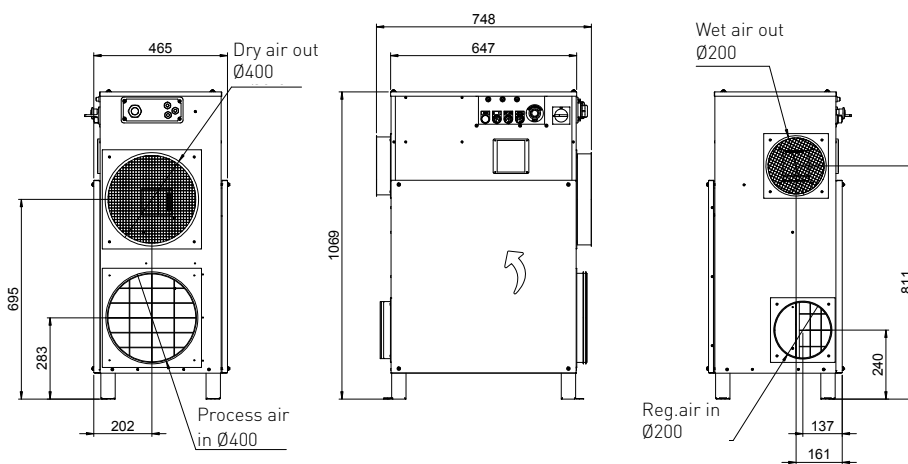
RL-60R



RL-60LR



DIMENSIONS



[mm]

Subject to change without notice. Download installation drawing at www.dst-sg.com

Seibu Giken DST AB

Avestagatan 33 | SE-163 53 Spånga, Sweden

Tel +46 8 445 77 20 | Fax +46 8 445 77 39

www.dst-sg.com | info@dst-sg.com